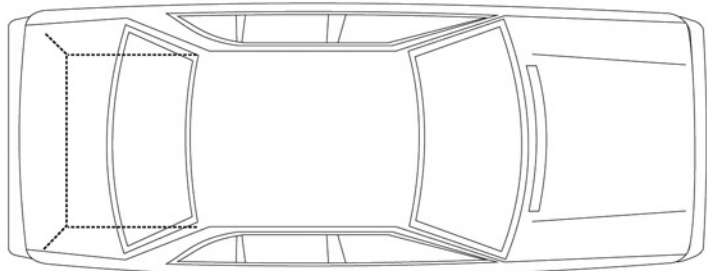


4-Door Sdn / SW w/Frame Recycled Body Cut Form

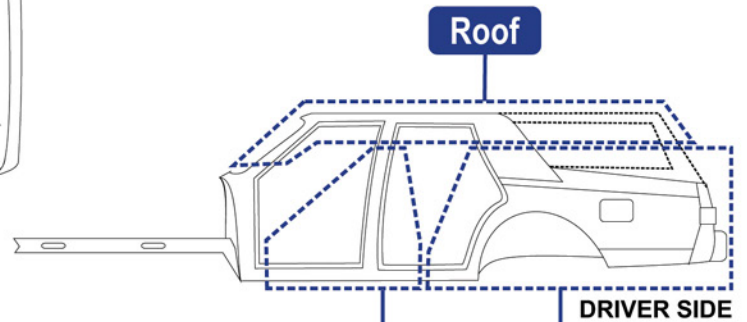
To: _____ From: _____
Contact Name: _____ P.O.#: _____
Phone #: _____ Fax #: _____ Date: _____
Year: _____ Make: _____ Model: _____
VIN #: _____ Build Date: _____
Please Sign: _____

Disclaimer: No Returns on Body Cuts

Important: these marks are our standard cuts – larger cuts may incur a surcharge



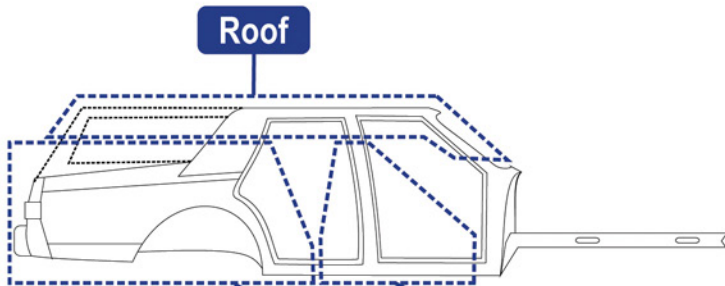
TOP VIEW



DRIVER SIDE

Center Pillar

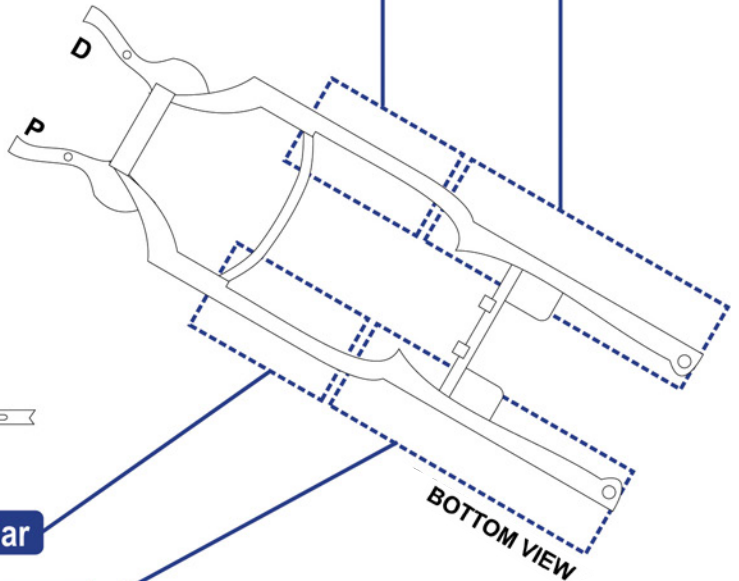
Driver Quarter



PASSENGER SIDE

Center Pillar

Passenger Quarter



BOTTOM VIEW

Toll Free: 800.871.2560

Fax: 715.834.7088

