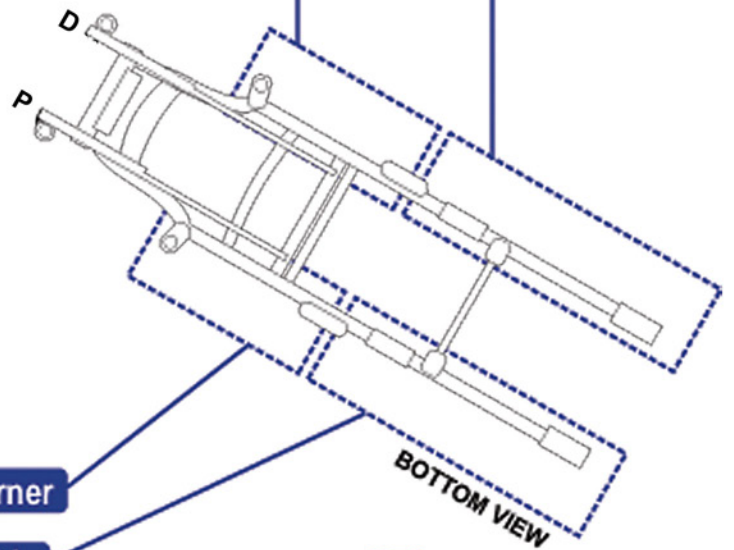
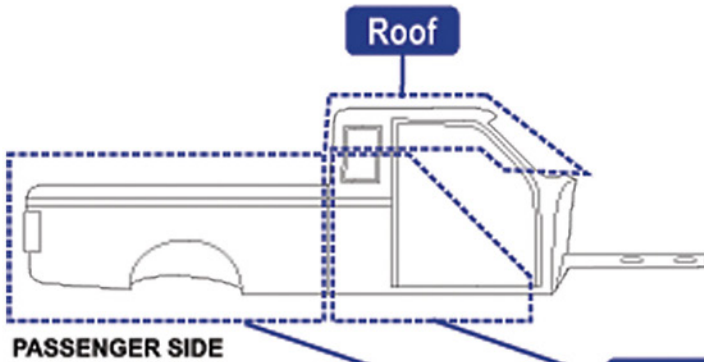
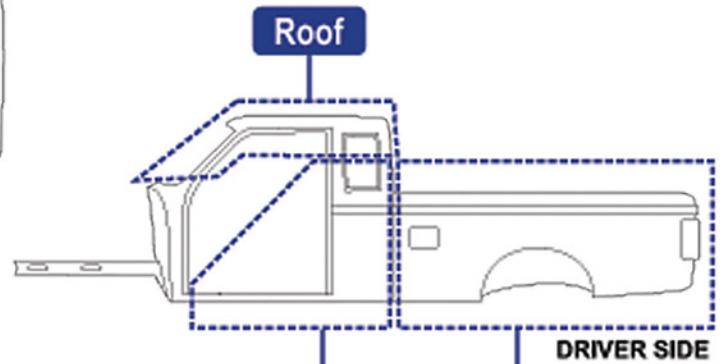
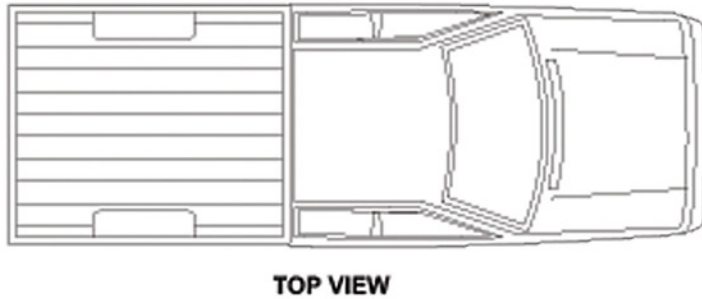


# 2-Door Pickup w/Frame Recycled Body Cut Form

To: \_\_\_\_\_ From: \_\_\_\_\_  
Contact Name: \_\_\_\_\_ P.O.#: \_\_\_\_\_  
Phone #: \_\_\_\_\_ Fax #: \_\_\_\_\_ Date: \_\_\_\_\_  
Year: \_\_\_\_\_ Make: \_\_\_\_\_ Model: \_\_\_\_\_  
VIN #: \_\_\_\_\_ Build Date: \_\_\_\_\_  
Please Sign: \_\_\_\_\_

## Disclaimer: No Returns on Body Cuts

**Important: these marks are our standard cuts – larger cuts may incur a surcharge**



Toll Free: 800.871.2560

Fax: 715.834.7088

